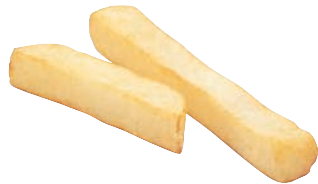


ADR[®] 4 Nubbin Remover

[Key Technology](#) and [Farmco](#) have worked together for over 20 years. With Farmco now a Key business unit, we are your single source for complementary equipment. The optional [Nubbin Remover](#) combines Key vibratory equipment and Farmco rotary equipment to enhance product recovery and efficiency.

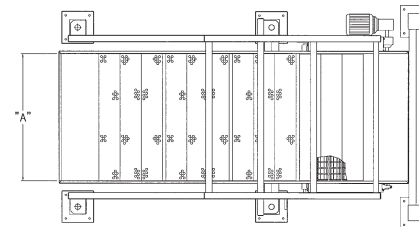
Features

- [Iso-Flo[®] Vibratory Single-Deck Grader](#) removes potato “nubbins” under high line-flow conditions, and reduces flow to the [Rotary Size Grader](#).
- Farmco Rotary Size Grader receives the reduced throughput, and recovers long product that accompanied the nubbins.
- Working in tandem, the two systems optimize removal of nubbins and recovery of good product.



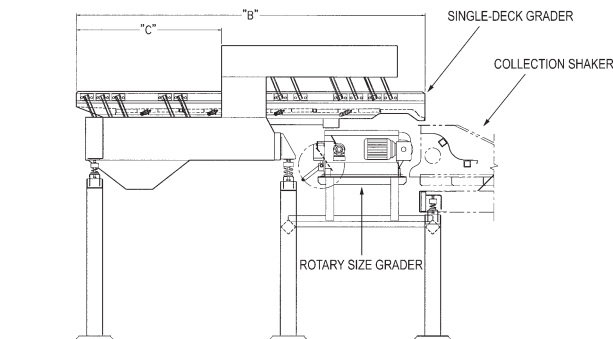
Benefits

- Greater efficiency at similar cost
- Accurate grading with minimal product loss
- Gentle handling at high capacity
- Versatility; easy adjustment for different cut sizes
- Small footprint for installation adaptability
- Proven performance
- Simple cleaning, maintenance, and operation
- Quality and service you can rely on



DIMENSIONS

A	48 inches (121.9 cm)
B	132 inches (335.3 cm)
C	55 inches (139.2 cm)



Key Technology

150 Avery Street • Walla Walla, WA 99362 • USA

Phone: 509.529.2161 • Fax: 509.527.1331 • product.info@key.net • www.key.net

