

# Vari-Feeder Metering System

When proportioning for product mixes or metering to control product flow, the Key [Vari-Feeder](#) gives you reliable accuracy, limitless flow rates, and excellent product recovery. Precise metering is easily achieved when you select from a complete offering of metering drums with unique pocket configurations. When special metering needs arise, Key can produce a customized design.

Team the Vari-Feeder up with Key's [Veg-Mix System](#) for a solid mixing solution.

## Precise Metering

- Quick-release metering drum permits changing drums in minutes
- Inverter option for infinite product-flow control
- For supervised or lock-box operation, speed controls can be remotely located

## Easy Sanitation

- Heavy-duty stainless steel; durable and easy to clean
- Rounded pocket in metering drum eliminates hard-to-clean angles and narrow spaces
- Sanitary continuous welded seams instead of folded or lap-weld seams, which can accommodate bacteria
- Quick-release metering drum saves time and sanitation costs



## Excellent Recovery

- Reducing aperture approach capitalizes on product elasticity and product flow properties
- Infeed design improves recovery—eliminates most product damage from infeed shearing
- Trims costs that result from damaged product waste

## Complete System

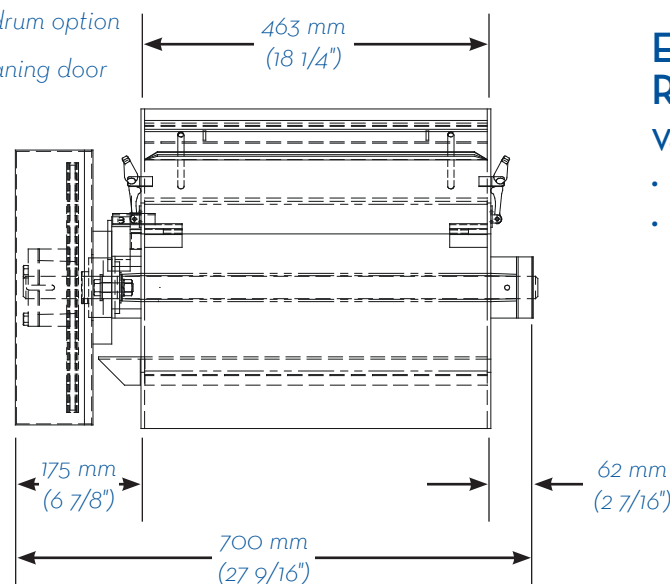
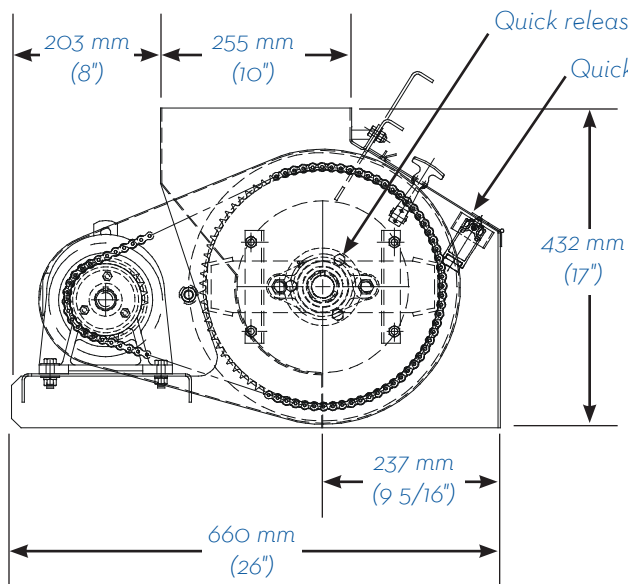
- Vari-Feeder can be designed to fit existing production facilities
- Easy, inexpensive installation
- Complete systems available to upgrade or install entire line

**Key Technology**

150 Avery Street • Walla Walla, WA 99362 • USA

Phone: 509.529.2161 • Fax: 509.527.1331 • [product.info@key.net](mailto:product.info@key.net) • [www.key.net](http://www.key.net)

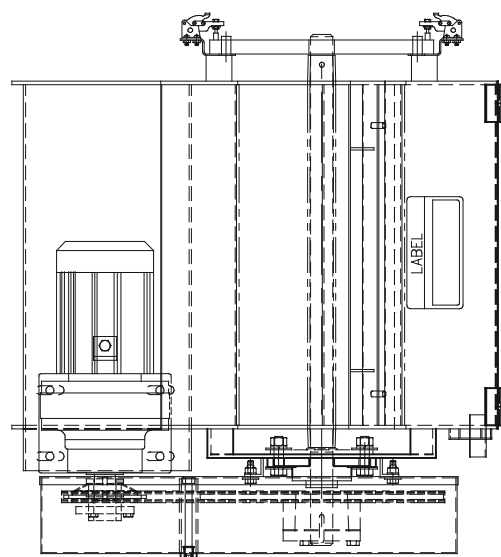




## Electrical Requirements

### Voltages

- 480 volt, 3 phase, 60 Hz
- 380 volt, 3 phase, 50 Hz



*Precise metering in compact size*

*Volume/capacity varies by application. Contact Key for more information.*

## Common Product Applications

- Apples
- Beans—dry
- Berries, strawberries
- Candy, confectionery
- Cereal, snacks
- Chemicals
- Chicken
- Coffee
- Corn
- Fruit
- Ingredients
- Nuts, seeds
- Pasta
- Peas—green
- Pimiento
- Pineapple
- Raisins
- Vegetables

*Other applications may be used on this equipment. Call Key to find out about how your product(s) may benefit from this technology or another system.*