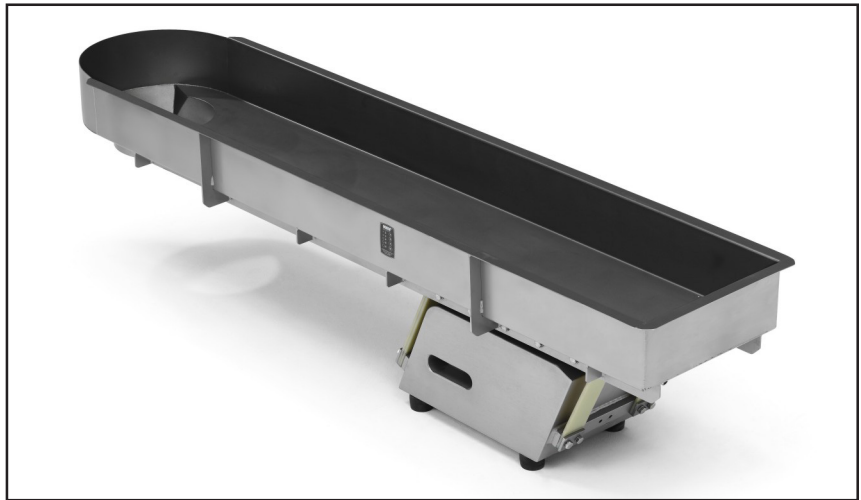


Standard Impulse™ Compact Vibratory Conveyor

Key's [Standard Impulse™ Compact](#) provides a reliable solution for your smaller electromagnetic conveying needs. Pick from a wide selection of standard sizes and configurations to meet your requirements for quick delivery and lower cost.



Standard Impulse™ Compact Vibratory Conveyor

Special Features

- Standard Impulse™ Compact expands Key's [Smart Shaker®](#) family of proven vibratory conveyors
- Convenient variety of standardized widths and lengths are available
- Provides simple precision-controlled conveying with efficient electromagnetic drive
- Maximizes food safety and product quality
- No sliding or rotating parts to wear, and no belts or bearings to fail
- All units are dust and moisture resistant
- Ideal for industrial applications that have harsh operating environments
- Ready to be integrated to meet the needs of specific processing/packaging systems

Simple Controls

- Dedicated solid-state controls that allow conveying pan amplitudes to range from 0 to 100%, to adjust speeds for different products and processing conditions
- Self-tuning and regulated with respect to frequency and product load
- Dust and moisture resistant. Controls are housed in IP65 rated enclosures, for trouble-free operation in many environments
- Drives are oil-free, which adds to their flexibility in sanitary installation
- Can be integrated with existing processing and packaging lines, as well as with Key's entire line of vibratory conveying systems
- Amplitude can be controlled manually by potentiometer or by external signal (0-10V) 4-20mA

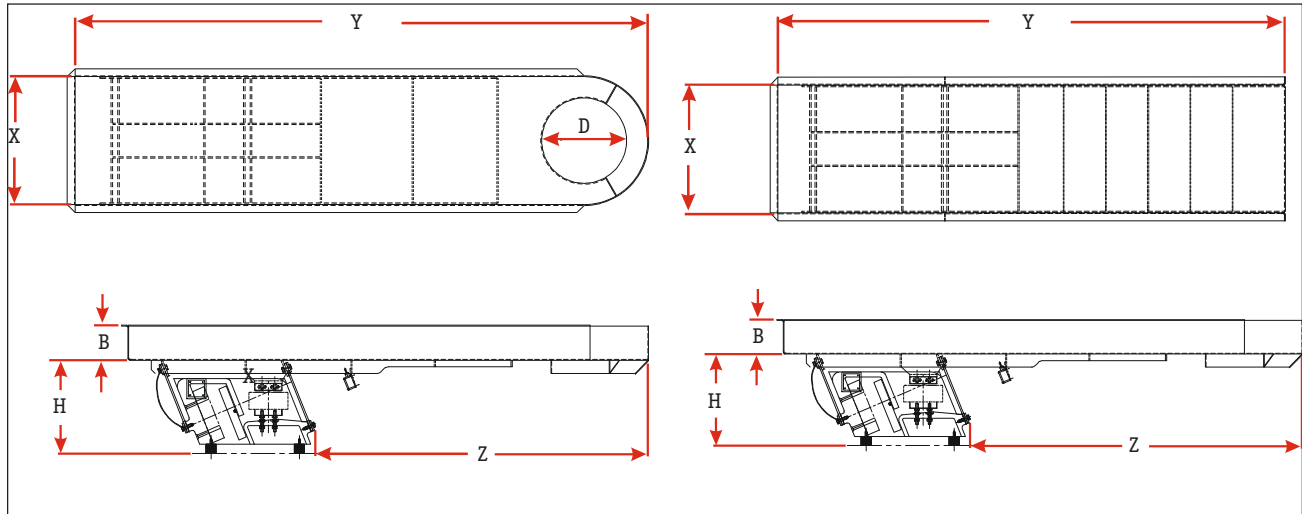
Common Product Applications

- Scale feed
- Transfer

Other applications may be used on this equipment. Call Key to find out about how your product(s) may benefit from this technology or another system.

IMPULSE™

Standard Impulse™ Compact Vibratory Conveyor



Conical Discharge							
Bed Height (H)	Bed Depth (B)	Bed Width (X)	Bed Length (Y)	Overhang (Z)	Discharge Diameter (D)	Smooth SS Part Number	Rigid SS Part Number
156 mm (14")	127 mm (5")	305 mm (12")	1676 mm (67")	1041 mm (41")	203 mm (8")	434053	434054
156 mm (14")	127 mm (5")	305 mm (12")	1981 mm (78")	1067 mm (42")	203 mm (8")	434055	434056
156 mm (14")	127 mm (5")	457 mm (18")	1753 mm (69")	889 mm (35")	305 mm (12")	434057	434058
156 mm (14")	127 mm (5")	457 mm (18")	2057 mm (81")	1321 mm (52")	305 mm (12")	434059	434060
432 mm (17")	152 mm (6")	610 mm (24")	1829 mm (72")	940 mm (37")	406 mm (16")	434067	434068
432 mm (17")	152 mm (6")	610 mm (24")	2034 mm (84")	1245 mm (49")	405 mm (16")	434069	434070

Straight Discharge							
Bed Height (H)	Bed Depth (B)	Bed Width (X)	Bed Length (Y)	Overhang (Z)	Smooth SS Part Number	Rigid SS Part Number	
156 mm (14")	127 mm (5")	305 mm (12")	1219 mm (48")	584 mm (23")	434043	434044	
156 mm (14")	127 mm (5")	305 mm (12")	1524 mm (60")	889 mm (35")	434045	434046	
156 mm (14")	127 mm (5")	305 mm (12")	1829 mm (72")	1092 mm (43")	434047	434048	
156 mm (14")	127 mm (5")	457 mm (18")	1524 mm (60")	889 mm (35")	434049	434050	
156 mm (14")	127 mm (5")	457 mm (18")	1829 mm (72")	1092 mm (43")	434051	434052	
432 mm (17")	152 mm (6")	610 mm (24")	1524 mm (60")	635 mm (25")	434061	434062	
432 mm (17")	152 mm (6")	610 mm (24")	1829 mm (72")	940 mm (37")	434063	434064	
432 mm (17")	152 mm (6")	610 mm (24")	2134 mm (84")	1092 mm (43")	434065	434066	

A wide range of custom sizes, configurations and surface finishes are also available to fit your line needs.